



extreme  
**LEGACY**

MOBILE MONOLITH



**MOBILE CLIMBING WALLS**

# WE SHARE YOUR PASSION...

## OUR CULTURE IS SUSTAINABILITY

 Extreme Legacy is a renowned engineering design and manufacturing firm, specializing in award-winning amusement rides and custom fabrication services. Headquartered in Orlando, Florida, with additional locations across the U.S., we are widely recognized as a leader in creating family-friendly attractions for top-tier destinations and amusement parks worldwide. With thousands of satisfied clients, chances are you've experienced one of our exhilarating attractions or seen our custom designs in action. We proudly serve industry giants like Six Flags, Disney, Universal, Bluegreen Resorts, Merlin Entertainment, Ferrari World, Holiday Inn, and many more. When it comes to delivering safe, innovative, and thrilling attractions, Extreme Legacy is the go-to expert.

As the top choice for engineering design and fabrication of family coasters and adventure rides, we offer boundless creative possibilities. Our talented design engineers and skilled sales team bring even the most ambitious visions to life. From award-winning rides to expert engineering solutions, we support your creative vision at every step. Our dedication to the amusement industry extends beyond our projects: we actively serve on safety committees, help shape industry standards, and have even held positions on the IAAPA Board of Directors. We do all this because we believe in the industry's future, value safety, and are passionate about creating memorable experiences for families.

Our team wakes up every day eager to tackle the next attraction design or visit a world-class theme park. We're always ready to shape the future of entertainment, but we don't stop there. Innovation, industry expertise, and breakthrough designs are standard in every one of our attractions. We prioritize integrity, honesty, creativity, and the protection of intellectual property to ensure our industry thrives. While others may attempt to follow in our footsteps, we've already moved on. Extreme Legacy is dynamic, always forward-thinking, and committed to providing customers with cutting-edge designs. We make your ideas more real than reality itself. [We believe in inventing forward.](#)



Pictured: Mobile Monolith in granite.



**E**xtrême Legacy has more mobile climbing wall experience than all the competition combined. Our designs have been rocking the world for over 30 years. Bring the most popular, patented mobile climbing wall to your event today. Every patented mobile climbing wall comes with the best features on the market, exceeding ASTM and other industry standards.

We provide the engineering geek, marketing sleek and business sales success all in one! Our products have been designed by a team of the most talented product engineers, business professionals, and marketing gurus in the world. Extrême Legacy only uses the best materials available in the production process of every mobile climbing wall. These products are stronger than real rock!

**WE ARE  
YOUR ADVENTURE  
ENTHUSIASTS**



As shown: Element Mobile 4 Climber Sandstone

# MOBILE CLIMBING WALLS

U.S. patent number: 6,083,142. Choose your route.

Our patented mobile climbing walls are perfectly designed as a thrilling and profitable business opportunity! Extreme Legacy's mobile rock climbing walls are used for entertainment, team-building exercises, recruiting tools, exciting promotional billboards and are a signature product for any party rental business. Using only the best materials available, all of our patented mobile climbing walls are built to be extremely strong and lightweight, so you can roll wherever you'd like to go. Our patented mobile climbing walls are safe, fun and a successful marketing and promotional tool. With the popularity in thrill seeking sports, Extreme's mobile climbing walls have become an exciting team-building experience, enhance entertainment driven facilities and provide success to entrepreneurs worldwide.



# MONOLITH CLIMBING WALL

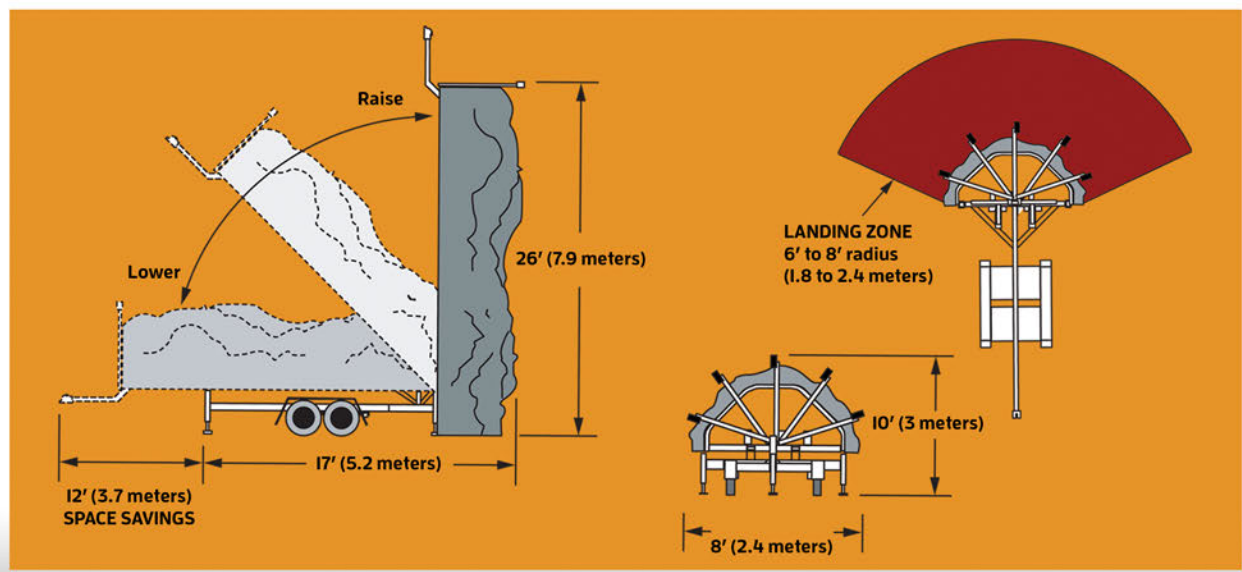
The Original, U.S. Patented Mobile Wall

## Mobile Monolith (5 Person Climbing Wall)

**THE KING OF MOBILE CLIMBING WALLS.**

<b>Weight Limit:</b>	<b>45-250 lbs</b> (20-114 KG)
<b>Climbers:</b>	<b>5 climbers</b>
<b>Height:</b>	<b>26'</b> (7.9 Meters)
<b>Surface Area:</b>	<b>524 SF</b> (47.6 Meters)
<b>Travel Height:</b>	<b>10'0"</b> (2.7 Meters)
<b>Travel Width:</b>	<b>8'0"</b> (3 Meters)
<b>Dry Weight:</b>	<b>4,600 lbs</b> (2,090 KG)
<b>Brake:</b>	<b>Electric 12 Volt</b>
<b>Auto-belays™ :</b>	<b>Fully Redundant</b>

The Monolith has over 500 square feet of climbing area, multiple overhangs, five distinct climbing routes and accomodates over 100 participants an hour.



# SPACE SAVER TRAILER

U.S. Patent Number 6,659,496.

The patented Space Saver Trailer™, exclusively provided by Extreme Legacy, is used on every mobile climbing wall sold today. The trailer design shortens the footprint needed for operation. With a Space Saver Trailer™ most of the mobile climbing walls can operate within 200 SQ FT (61 Meters SQ). Our products are designed using aeronautical principles, making Extreme Legacy's products the lightest and strongest in the industry. The lightweight trailer design is fuel efficient. All Extreme Legacy Space Saver Trailers™ meet ASTM and other standards. The Space Saver Trailers™ are used by professional operators worldwide.



# AUTO-BELAY SYSTEM

U.S. Patent Number 6,630,952.

You are in good hands, I mean belay devices. Extreme Legacy is globally known as the revolutionizing the climbing experience. Kick out the belayer and allow our machine to do all the work. Efficient. Reliable. Shows up to work on time. Extreme Legacy's Auto-belays™ are included with every mobile climbing wall we sell today. If you are looking for a solution to consolidate staffing requirements and safely replace a manual employee to belay climbers, then look no further. Extreme Legacy's patented Auto-belay™ is the only fully redundant system available. Previously awarded "Best Technology Applied" by industry experts at IAAPA, this is the safest Auto-belay™ system on the market. Our Auto-belays™ don't get distracted, don't ever take breaks and never get tired. It's simple, once the participant is done climbing, the pressure from the device will safely lower the participant slowly to the ground. Our are a perfect match almost anywhere! Great for rope courses, climbing gyms, fitness centers and search and rescue. Meets ASTM and other industry standards.



# PERFECT FOR MANY MARKETS

We make adventure versatile.

This attraction is perfect for the following markets:



AMUSEMENT PARK



RESORT



SPORTING ARENA



WATER PARK

## ASK ABOUT OUR OTHER AWARD WINNING ATTRACTIONS



SUSPENDED ROLLER COASTERS



ZIPLINES



CLIMBING ATTRACTIONS



EXTREME AIR JUMPER

**Extreme Legacy LLC**

424 East Central Blvd

PO BOX 105

Orlando, FL 32801

+1.916.663.1560

[info@extremelegacy.com](mailto:info@extremelegacy.com)

[www.extremelegacy.com](http://www.extremelegacy.com)



extreme  
**LEGACY**

**INVENTING  
FORWARD.**