



extreme
LEGACY

EXTREME AIR



MOBILE EXTREME AIR

NONSTOP SERVICE TO THE SKY



**EXTREME
AIR**

Welcome aboard the Extreme Air™, with nonstop service up to 25 feet in the sky. Stretch out your arms and legs, smell the air, touch the sky and see for yourself why the amazing honor of "Best New Product" two years running was bestowed upon this powerhouse in the jumping industry. Every patented jumper system comes with the best features on the market and meets ASTM and other industry standards.

Extreme Legacy only uses the best materials available in the production process of every Extreme Air™ jumper. The extruded fiber-woven poles, "Flex Pole Technology™," supports a wide range of weights. With faster cycle times, wireless remote technology, less staff and less maintenance costs, you will be jumping for joy with the Extreme Air™.

SOAR ABOVE OTHERS



ADVENTURE CAN BE YOURS

Awarded best new product, two years in a row, by IAAPA. This is the best jumper on the market.



WANT TO KNOW WHAT IT FEELS LIKE TO FLY?

Take flight on the best air jumper on the market.

We provide the engineering geek, marketing sleek and business sales success all in one! Extreme Legacy only uses the best materials available in the production process of every Extreme Air.

**WE ARE
YOUR ADVENTURE
ENTHUSIASTS**

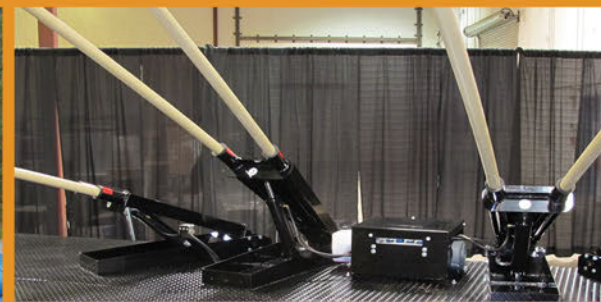


As Shown: Mobile Extreme Air™ In Line Jumper

EXTREME AIR JUMPER

U.S. patent number: 7,182,695.

There are jumpers and then there are Extreme Legacy jumpers. The Extreme Air™ jumper systems use patented fiberglass pole technology, allowing participants to soar up to 25 feet in the air! With set-up times of just 20 minutes you will be spending more time making money and less time battling set-up. The Extreme Air™ jumper systems are the only kind on the market to use wireless remote technology, removing the amount of staff needed. With innovative technology, design and other state-of-the-art components, the cost of ownership is just a fraction of all other air jumper systems on the market. The dynamic fiberglass poles, "Flex Pole Technology™," supports a wide range of weights, eliminating the mounds of harness sizes needed. With faster cycle times, less staff and less maintenance costs, why would you jump anywhere else? Give yourself a product you are proud to present.



FLYER HARNESS

Faster, Safer, Better.



The breakthrough features on the new Flyer Harness™ makes it the most comfortable and universal harness on the market! With wide and padded leg straps, a fully adjustable waist belt and industry standard buckles, this is the jumper harness of choice! Junior sizes are also available for small children. Harnesses are compatible with any jumper system!



OUR FEATURES ARE FOCUSED ON YOU

We work closely with leaders in our industry to provide solutions that really work. This is why the Extreme Air™ is the only two-time jumper winner at IAAPA.



FLEX POLE TECHNOLOGY™

The patented "Flex Pole Technology,™" allows operation of the equipment without cumbersome turn buckles and bungee cords. This exclusive pole technology, with an inflatable pad, allows participants to spring up to 25 feet in the air with ease. The poles store crazy amounts of energy and are incredibly strong (can hold over 5,000lbs).



UP TO 4 RIDERS AT A TIME

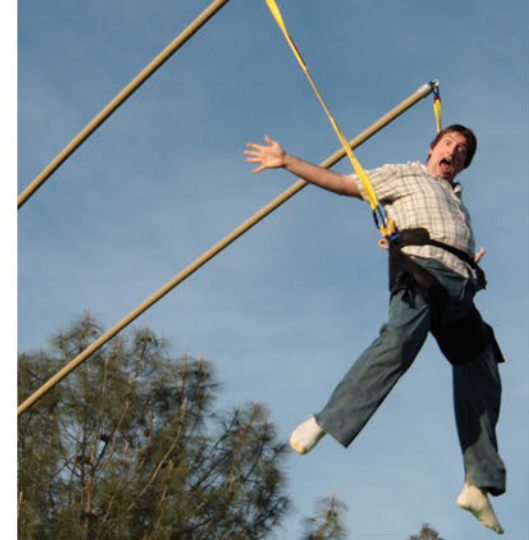
The Extreme Air™ will take you leaps and bounds above the competition! Allow up to 4 riders at a time. You'll be able to move participants quickly on and off the product, enhancing profitability. The operator has complete custom remote con-



MOBILE VERSION AVAILABLE

Industry's most popular mobile jumper on the market. Set up in just 20 minutes and allow up to 4 riders at a time!

The Extreme Air™ jumper meets ASTM and other industry standards.

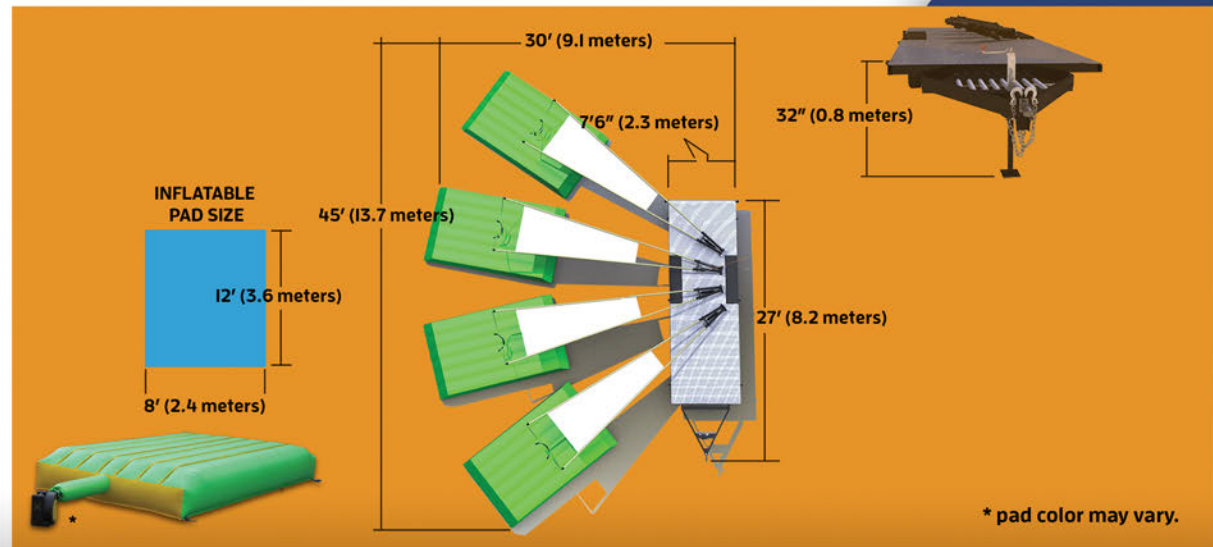


MOBILE EXTREME AIR

U.S. patent number: 7,182,695.

Mobile Extreme Air (4 Person Jumper) SOAR TO GREAT HEIGHTS.

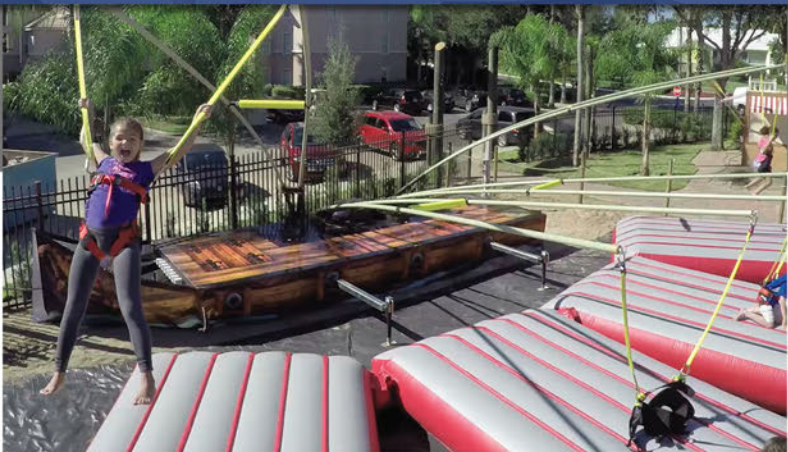
Weight Limit: 45-250 lbs (20-114 KG)
Jumpers: 4 Jumpers
Height: Up to 25' (7.6 Meters)
Surface Area: 1350 SF (441.60 Meters)
Travel Height: 4'0" (1.2 Meters)
Travel Width: 90" (2.3 Meters)
Dry Weight: 3,500 lbs (1,588 KG)
Power: 110V AC 60HZ (15 AMPS)
Poles: Flex Pole Technology



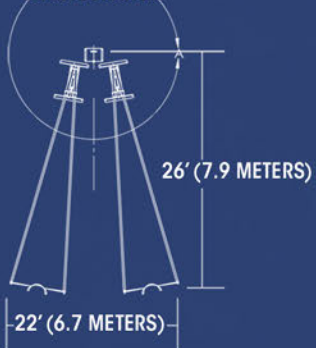


STATIONARY EXTREME AIR

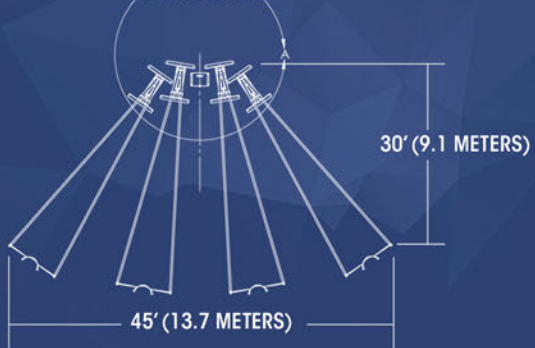
U.S. patent number: 7,182,695.



TANDEM JUMPER CONFIGURATION



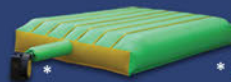
QUAD JUMPER CONFIGURATION



INFLATABLE PAD SIZE

12' (3.6 METERS)

8' (2.4 METERS)



* pad color may vary.



Single Extreme Air™ units also available.

Extreme Legacy
424 East Central Blvd
PO BOX 105
Orlando, FL 32801
+1.916.663.1560
info@extremelegacy.com
www.extremelegacy.com



extreme
LEGACY

**INVENTING
FORWARD.**



All Products Designed
and Built in the USA.