



extreme ENGINEERING

ENGINEERING DESIGN / FAMILY COASTERS / ADVENTURE RIDES

SINCE 1995

WE SHARE YOUR PASSION...

OUR CULTURE IS OUR CUSTOMERS

 Extreme Engineering is a manufacturing and engineering firm of award winning amusement rides based outside of Dallas, Texas. Since 1995, Extreme Engineering has been recognized as the industry leader in family-friendly attractions to world-class destinations and amusement parks. With over 1,000 customers worldwide, chances are you have experienced our rides firsthand. Extreme Engineering has provided innovative solutions to both Fortune 100 and 1000 companies, such as Six Flags, Disney, Universal, Bluegreen Resorts, Holiday Inn and others. For over 25 years when it comes to safe, new and exciting attractions Extreme Engineering has been the answer.

Today Extreme Engineering is the industry's leading choice for engineering design, family coasters and adventure rides. We make endless design opportunities possible through our talented team of design engineers and experienced sales experts. From award winning attractions to engineering design, let's just say we have your creative mind's back! We are passionate, active industry members. Our team volunteers on safety committees, helps with creating industry standards to even serving on the IAAPA Board of Directors. We do this because we believe in this industry, we believe in safety and truly understand the importance of creating positive experiences for families to enjoy.

Our staff wakes up every day ready to ride the next new rollercoaster and visit world-class theme parks. We are always prepared to design the future in entertainment but we don't just stop here. Innovation, industry standards, experience and breakthrough designs come standard in all of our attractions. In order to preserve our industry's future, Extreme Engineering understands the importance of integrity, honesty, creativity and the protection of ideas. While others might try to attempt what we do, our company will most certainly have already moved on. We are dynamic in what we do, we believe in inventing forward. Our staff constantly looks ahead and strives on giving customers the real cutting-edge they deserve. Our company motto, "fun is our business," is what we believe in. This belief allows us to transform creative ideas into reality.

Pictured: Jeff Wilson, CEO of Extreme Engineering.

WHAT'S YOUR HIDDEN SUPER POWER?

Feel the rush of freedom while you soar to new heights.

As seen on the:

Travel
CHANNEL

MOBILE FLY WIRE ZIPLINE

Since the invention of the first, patented mobile climbing wall in 1995, Extreme Engineering has the most experience in engineering and design of mobile adventure equipment in the world. All of Extreme Engineering's mobile products have won Best New Product awards and are built from the best quality materials available. Every product we design exceeds ASTM, CE and other industry standards. We only provide the best, engineered adventure products available!

Going mobile has many advantages and can benefit your business and promotional needs. All of Extreme Engineering's mobile products set up quickly, and can be easily relocated around your property or other destinations. The flexibility of our exciting mobile adventure products allows you to reconfigure your adventure experience at any time.





The award winning Fly Wire™ Zipline, winner of “Best Major Theme Park Ride” and “Best Technology Applied” at IAAPA, provides thrill seekers the ultimate rush of zip-lining across the sky up to 300 feet on a mobile zipline - the length of an entire football field. Thrill seekers can zipline even longer on our stationary models. Offering the fastest cycle times on the market to serve up to 90 riders an hour, there is no other zipline product in the world that can compete with the Fly Wire’s™ ease of set-up and completely controlled method of keeping zip-liners soaring with confidence. The Fly Wire™ is your amusement zipline solution! With superior engineering and the patent pending Decelinator™ safety system why would you zip line anywhere else? Every mobile and stationary exceeds ASTM, OSHA, CE and other industry standards. Extreme Engineering offers a fast, fun and safe zipline ride every time!

We provide the engineering geek, marketing sleek and business sales success all in one! Our products are designed by a team of the most talented aeronautical and mechanical engineers, business professionals, and marketing gurus in the world. Extreme Engineering only uses the best materials available in the production process of every Fly Wire™ Zipline.

**WE ARE
YOUR ADVENTURE
ENTHUSIASTS**



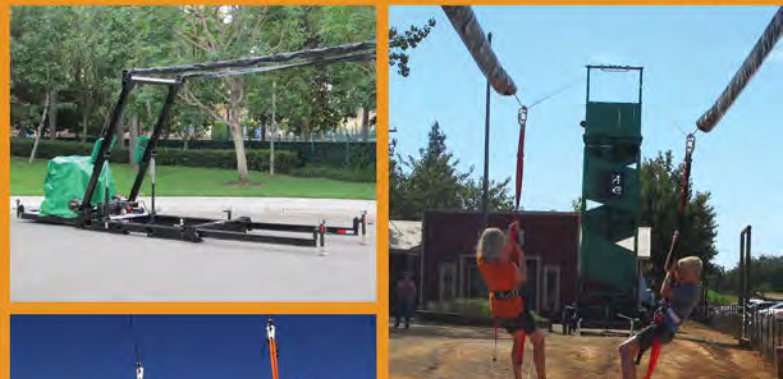
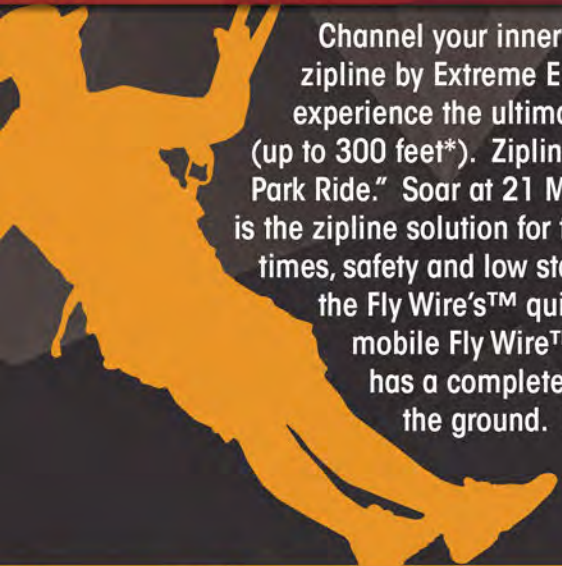
MONDAYS SEPT FOX

MOBILE FLY WIRE ZIPLINE

U.S. Patents.

Channel your inner superhero and zip into profit with the mobile "Fly Wire™" zipline by Extreme Engineering. Thrill seekers of all ages will be lining up to experience the ultimate rush of ziplining across the length of a football field (up to 300 feet*). Zipline at serious speeds on the awarded "Best Major Theme Park Ride." Soar at 21 MPH with two people at the same time! The Fly Wire™ is the zipline solution for the amusement industry that is looking for quick cycle times, safety and low staffing. No other zipline in the world can compete with the Fly Wire's™ quick cycle times. Zip up to 90 people an hour! The mobile Fly Wire™ is easy to setup. Extreme Engineering's zip line has a completely controlled method of keeping zip-liners safely off the ground. Both mobile and stationary models are available.

*300 foot option is not included on mobile standard units. Longer distances are available on all stationary models.



FLY WIRE ZIPLINE

U.S. Patents.

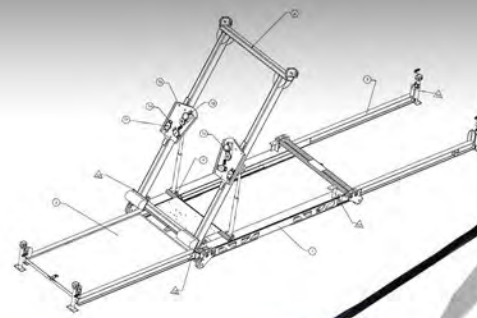


Extreme Engineering's Fly Wire™ zipline is perfect for promotions, such as tv and movie premieres. The mobile zipline can be custom themed to amplify any brand you desire!

DECELINATOR

U.S. Patents.

There is safe, and then there is Extreme Engineering safe. The Fly Wire™ is the only zipline of its kind using the safest decelerator on the market, the Decelinator™, a proprietary device that fully lowers zip-liners and everyday superheroes safely to the ground. The hydraulically activated Decelinator™ raises up in the air, keeping zip-liners safely off the landing area. Once the zipline trolley descends into a "Power Pack," a variable rate shock, the zip-liners are safely slowed down at the end of each ride. When the zip liners are stopped, they are hydraulically lowered safely to the landing area. The Decelinator™ also controls the zipline tower's exit doors, preventing them from opening until the zipline is ready for operation. No other zipline in the world offers these safety features. This is one advanced, amusement zipline ride!



AWARDED FOR
TECHNOLOGY
AT IAAPA!



1. Tow to location.



2. Drop integrated Decelinator™ from trailer.



3. Pull forward & raise tower.



4. Walk up staircase.



5. Zip across a waterpark!

MOBILE FLY WIRE ZIPLINE

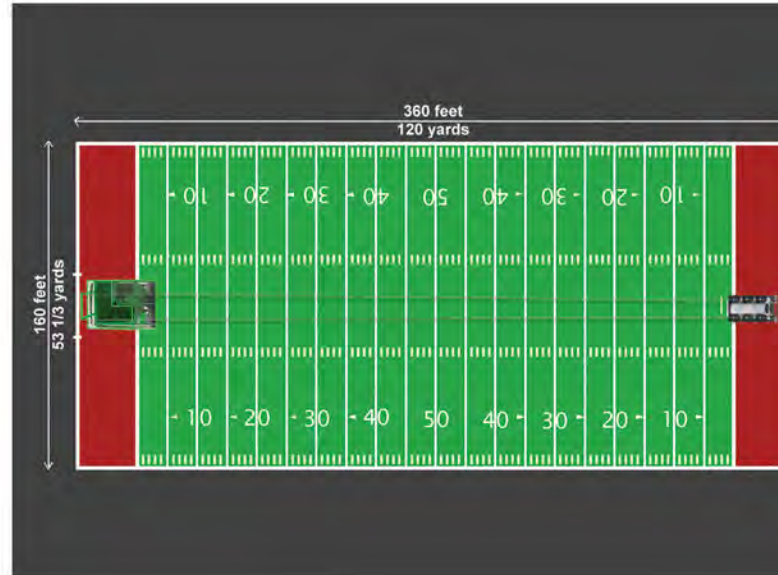
U.S. Patents

Mobile Fly Wire Zipline

LONGEST MOBILE ZIPLINE.

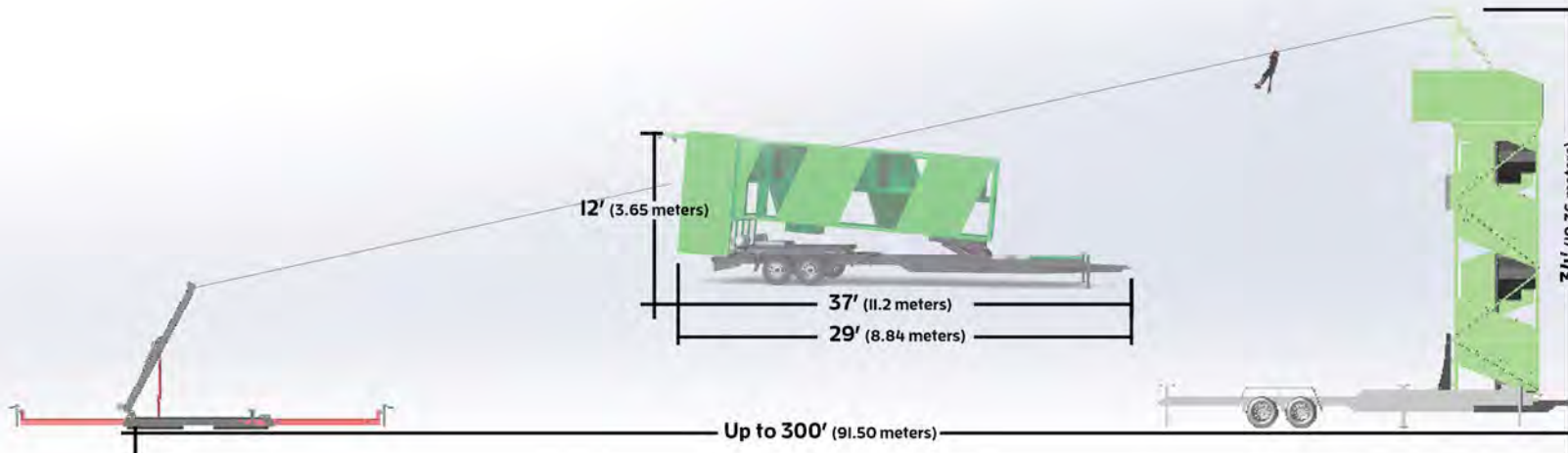
Weight Limit:	45-250 lbs (20-114 KG)
Operating Height:	30' (9.15 Meters)
Operating Width:	10' (3.05 Meters)
Operating Length:	*Up to 300' (91.50 Meters)
Dry Weight:	10,000 lbs (4,545 KG)
Brake:	Tandem Axle, Electric
Decelerator:	Decelinator™
Counter Weight:	3,500 lbs (1,591 KG)

*300' is optional.



This is the amusement zipline solution. With adjustable zip length from 100 to 300 feet on our mobile configuration, set-up time in just minutes and the fastest cycle times on the market why would you zipline anywhere else?

Yes, you can zipline an entire football field length with our mobile Fly Wire™, the longest mobile zipline on the market!



PERFECT FOR MANY MARKETS

We make adventure versatile.

This attraction is perfect for the following markets:



AMUSEMENT PARK



RESORT



SPORTING ARENA



WATER PARK

ASK ABOUT OUR OTHER AWARD WINNING ATTRACTIONS



SUSPENDED ROLLER COASTERS



MOBILE CLIMBING WALLS



CLIMBING ATTRACTIONS



EXTREME AIR JUMPER

Extreme Engineering
1391 Flat Creek Road
Athens, TX 75751
916.663.1560
www.extremeengineering.com



FUN IS OUR BUSINESS™

U.S. Patents 6,653,142, 6,390,952, 6,659,496, 7,182,695 and International Patents Pending. Extreme Engineering, Extreme Engineering's Logo, Speed Harness Fun is our Business, Fly Wire Zipline, High-Action Adventure, Adventure Products, Extreme Air, Rapid Gravity Ride, Cloud Coaster, Flex Pole Technology, Auto-Zip, and Decelerator are U.S. registered trademarks of Extreme Engineering. We take our intellectual property seriously and protect all of our patents, trademarks and copyrights. Our company believes in the protection of ideas so that creative minds can always invent. Help us by honoring originality in this industry. Always buy from the source so that patents can be treated with respect. This material is copyrighted and may not be duplicated without written permission from Extreme Engineering.

Catalog design by: Phil Wilson