



# extreme ENGINEERING

ENGINEERING DESIGN / FAMILY COASTERS / ADVENTURE RIDES

---

SINCE 1995

# WE SHARE YOUR PASSION...

## OUR CULTURE IS OUR CUSTOMERS

 Extreme Engineering is a manufacturing and engineering firm of award winning amusement rides based outside of Dallas, Texas. Since 1995, Extreme Engineering has been recognized as the industry leader in family-friendly attractions to world-class destinations and amusement parks. With over 1,000 customers worldwide, chances are you have experienced our rides firsthand. Extreme Engineering has provided innovative solutions to both Fortune 100 and 1000 companies, such as Six Flags, Disney, Universal, Bluegreen Resorts, Holiday Inn and others. For over 25 years when it comes to safe, new and exciting attractions Extreme Engineering has been the answer.

Today Extreme Engineering is the industry's leading choice for engineering design, family coasters and adventure rides. We make endless design opportunities possible through our talented team of design engineers and experienced sales experts. From award winning attractions to engineering design, let's just say we have your creative mind's back! We are passionate, active industry members. Our team volunteers on safety committees, helps with creating industry standards to even serving on the IAAPA Board of Directors. We do this because we believe in this industry, we believe in safety and truly understand the importance of creating positive experiences for families to enjoy.

Our staff wakes up every day ready to ride the next new rollercoaster and visit world-class theme parks. We are always prepared to design the future in entertainment but we don't just stop here. Innovation, industry standards, experience and breakthrough designs come standard in all of our attractions. In order to preserve our industry's future, Extreme Engineering understands the importance of integrity, honesty, creativity and the protection of ideas. While others might try to attempt what we do, our company will most certainly have already moved on. We are dynamic in what we do, we believe in inventing forward. Our staff constantly looks ahead and strives on giving customers the real cutting-edge they deserve. Our company motto, "fun is our business," is what we believe in. This belief allows us to transform creative ideas into reality.

Pictured: Jeff Wilson, CEO of Extreme Engineering.

# SOLID SYSTEM CLIMBING WALLS

Experience a climb without altitude sickness.

## STATIONARY CLIMBING WALLS

Since the invention of the first, patented mobile climbing wall in 1995, Extreme Engineering has the most experience in engineering and design of adventure equipment in the world. All of Extreme Engineering's attractions have won Best New Product awards and are built from the best quality materials available. Every product we design exceeds ASTM, CE and other industry standards. We only provide the best, engineered adventure rides available!





As Shown: Element Mobile 4 Climber Sandstone

**M**ount Everest. The Andes. Denali... Experience a climb without altitude sickness.



Extreme Engineering's "Solid Systems" are cost-effective while using the highest quality materials available to offer a thrilling, life-like climbing experience. Quickly becoming a mainstream product in high-end facilities, stationary rock climbing walls enrich entertainment centers and provide success to entrepreneurs worldwide, and can always be enhanced and reconfigured to create a new adventure.

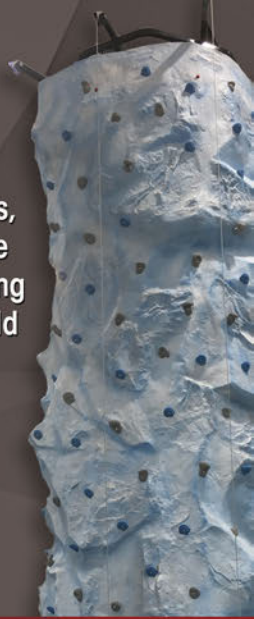
We provide the engineering geek, marketing sleek and business sales success all in one! Our products are designed by a team of the most talented aeronautical and mechanical engineers, business professionals, and marketing gurus in the world. Extreme Engineering only uses the best materials available in the production process of every mobile climbing wall. These products are stronger than real rock!

**WE ARE  
YOUR ADVENTURE  
ENTHUSIASTS**





Molded from real rock and can feature dinosaur fossils, ice from the Arctic and sandstone you would see in the desert, climbers are in awe over these realistic climbing surfaces. Scale the mountain to get a view of the world above the clouds. As a full tower, this solid system allows up to 10 climbers standing at a massive height of 32 feet tall.



## MOBILE CLIMBING WALLS

Original inventor and U.S. Patent holder.

Adventure on the go! All of our solid systems are available as a portable climbing wall. Since the invention of the first, patented mobile climbing wall in 1995, Extreme Engineering has the most experience in engineering and design of mobile adventure equipment in the world. All of Extreme Engineering's mobile products have won Best New Product awards and are built from the best quality materials available. Every product we design exceeds ASTM, CE and other industry standards. We only provide the best, engineered adventure products available!

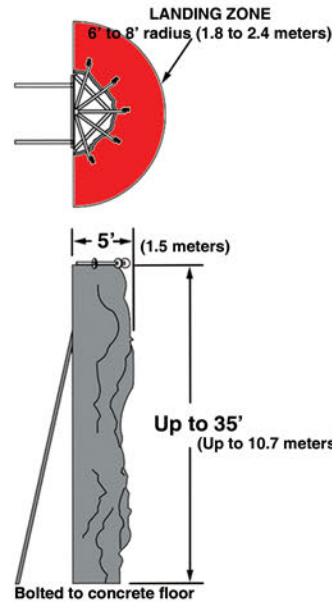




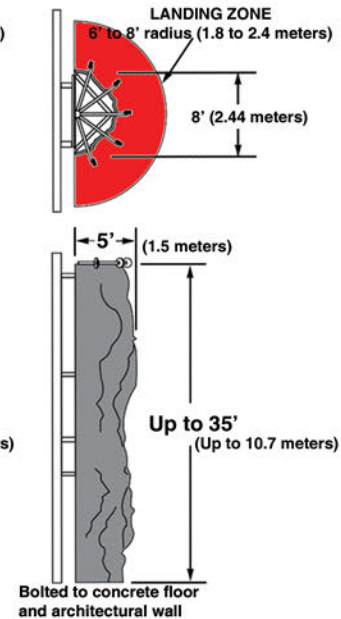
## ATTRACTION DATA

The Solid Systems can be configured into half or full towers, allowing up to 10 climbers at a time. We offer two models, each molded from real rock.

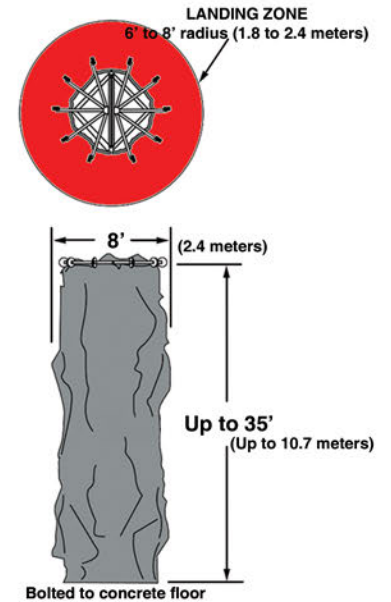
Typical Free-Standing  
1/2 Tower



Typical Flush Mount  
1/2 Tower



Typical Free-Standing  
Full Tower



## AUTO-BELAY SYSTEM

U.S. Patent Number 6,630,952.

You are in good hands, I mean belay devices. Extreme Engineering is globally known as the pioneers in revolutionizing the climbing experience. Kick out the belayer and allow our machine to do all the work. Efficient. Reliable. Shows up to work on time. Extreme Engineering's Auto-belays™ are included with every mobile climbing wall we sell today. If you are looking for a solution to consolidate staffing requirements and safely replace a manual employee to belay climbers, then look no further. Extreme Engineering's patented Auto-belay™ is the only fully redundant system available. Awarded "Best Technology Applied" by industry experts at IAAPA, this is the safest Auto-belay™ system on the market. Our Auto-belays™ don't get distracted, don't ever take breaks and never get tired.

It's simple, once the participant is done climbing, the pressure from the device will safely lower the participant slowly to the ground. Our are a perfect match almost anywhere! Great for rope courses, climbing gyms, fitness centers and search and rescue. Meets and exceeds ASTM, OSHA, CE and other industry standards.

# PERFECT FOR MANY MARKETS

We make adventure versatile.

This attraction is perfect for the following markets:



AMUSEMENT PARK



RESORT



SPORTING ARENA



WATER PARK

## ASK ABOUT OUR OTHER AWARD WINNING ATTRACTIONS



SUSPENDED ROLLER COASTERS



MOBILE CLIMBING WALLS



CLIMBING ATTRACTIONS



EXTREME AIR JUMPER



**Extreme Engineering**  
1391 Flat Creek Road  
Athens, TX 75751  
916.663.1560  
[www.extremeengineering.com](http://www.extremeengineering.com)



**FUN IS OUR BUSINESS™**

U.S. Patents 6,083,742, 6,390,952, 6,659,496, 7,182,695 and International Patents Pending. Extreme Engineering, Extreme Engineering's Logo, Speed Harness Fun is our Business, Fly Wire Zipline, High-Action Adventure, Adventure Products, Extreme Air, Rapid Gravity Ride, Cloud Coaster, Flex Pole Technology, Auto-Zip, and Decelerator are U.S. registered trademarks of Extreme Engineering. We take our intellectual property seriously and protect all of our patents, trademarks and copyrights. Our company believes in the protection of ideas so that creative minds can always invent. Help us by honoring originality in this industry. Always buy from the source so that patents can be treated with respect. This material is copyrighted and may not be duplicated without written permission from Extreme Engineering.

Catalog design by: Phil Wilson